



Features

- 350 watts peak pulse power ($t_p = 8/20\mu s$)
- Unidirectional & Bidirectional Configurations
- Working Voltages: 3.3V, 5V, 12V, 15V, 24V and 36V
- Low clamping voltages
- Low Leakage Current
- Response Time is Typically $< 1\text{ ns}$
- AEC-Q101 Qualified



IEC Compatibility (EN61000-4)

- IEC 61000-4-2 (ESD) $\pm 30\text{kV}$ (air), $\pm 30\text{kV}$ (contact)
- IEC 61000-4-4 (EFT) 40A (5/50ns)

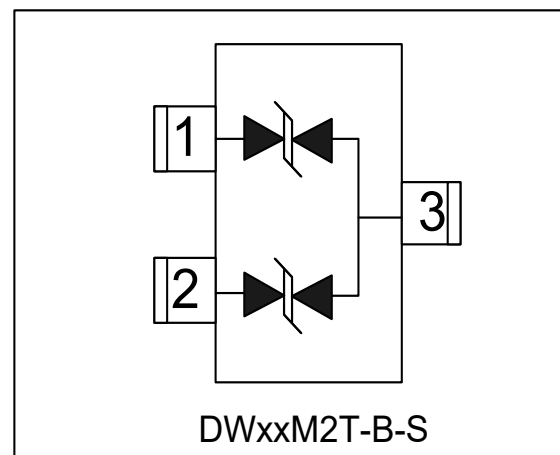
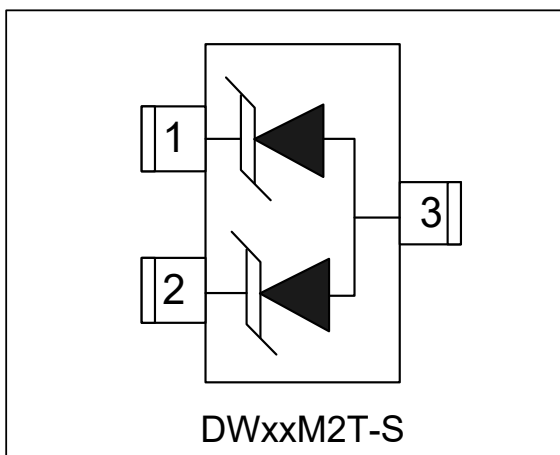
Mechanical Characteristics

- JEDEC SOT-23 package
- Molding compound flammability rating: UL 94V-0
- Marking: Marking Code
- Packaging: Tape and Reel per EIA 481
- RoHS Compliant

Applications

- RS-232, RS-422 & RS-485
- Cellular Handsets and Accessories
- Control & Monitoring Systems
- Portable Electronics
- Set-Top Box
- Servers, Notebook, and Desktop PC
- Wireless Bus Protection

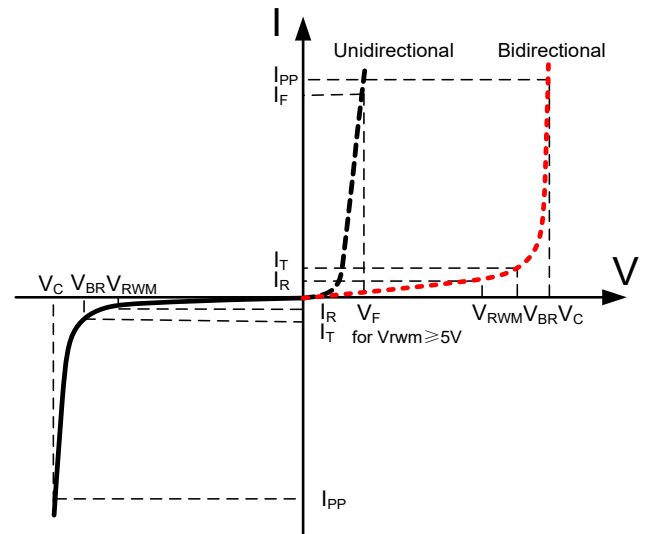
Schematic & PIN Configuration



Absolute Maximum Rating			
Rating	Symbol	Value	Units
Peak Pulse Power ($t_p=8/20\mu s$)	P_{PP}	350	Watts
Lead Soldering Temperature	T_L	260(10sec)	$^{\circ}C$
Operating Temperature	T_J	-55 to + 125	$^{\circ}C$
Storage Temperature	T_{STG}	-55 to +150	$^{\circ}C$

Electrical Parameters (T=25 $^{\circ}C$)

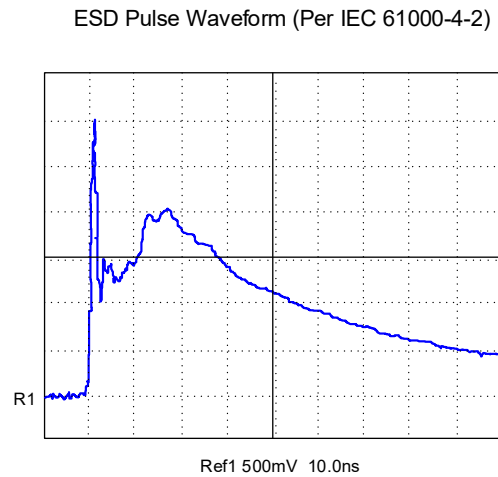
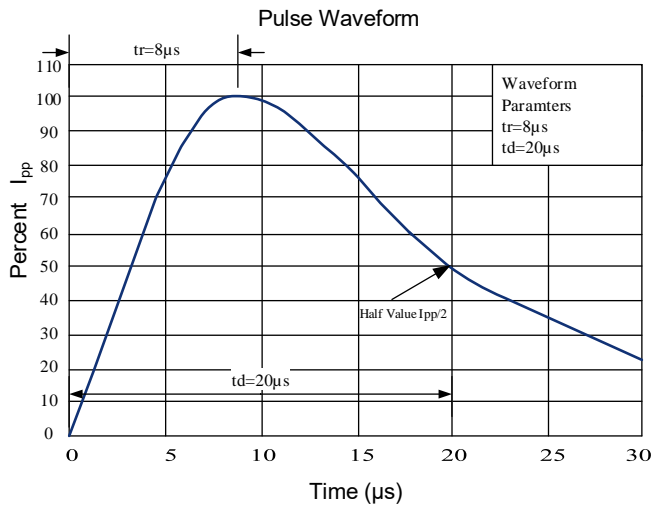
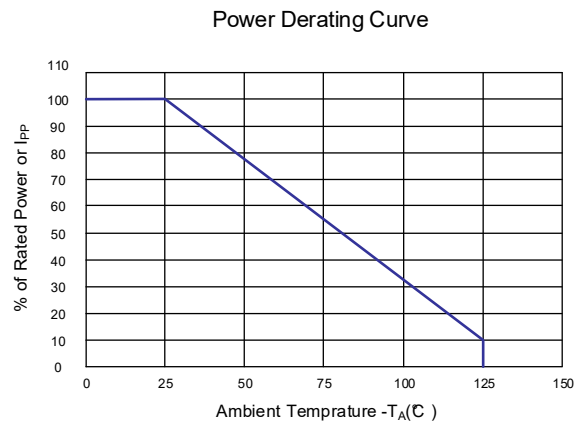
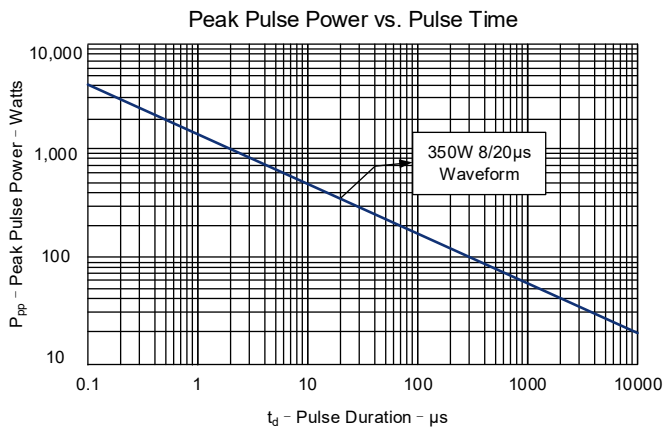
Symbol	Parameter
I_{PP}	Reverse Peak Pulse Current
V_C	Clamping Voltage @ I_{PP}
V_{RWM}	Working Peak Reverse Voltage
I_R	Reverse Leakage Current @ V_{RWM}
V_{BR}	Breakdown Voltage @ I_T
I_T	Test Current
I_F	Forward Current
V_F	Forward Voltage @ I_F



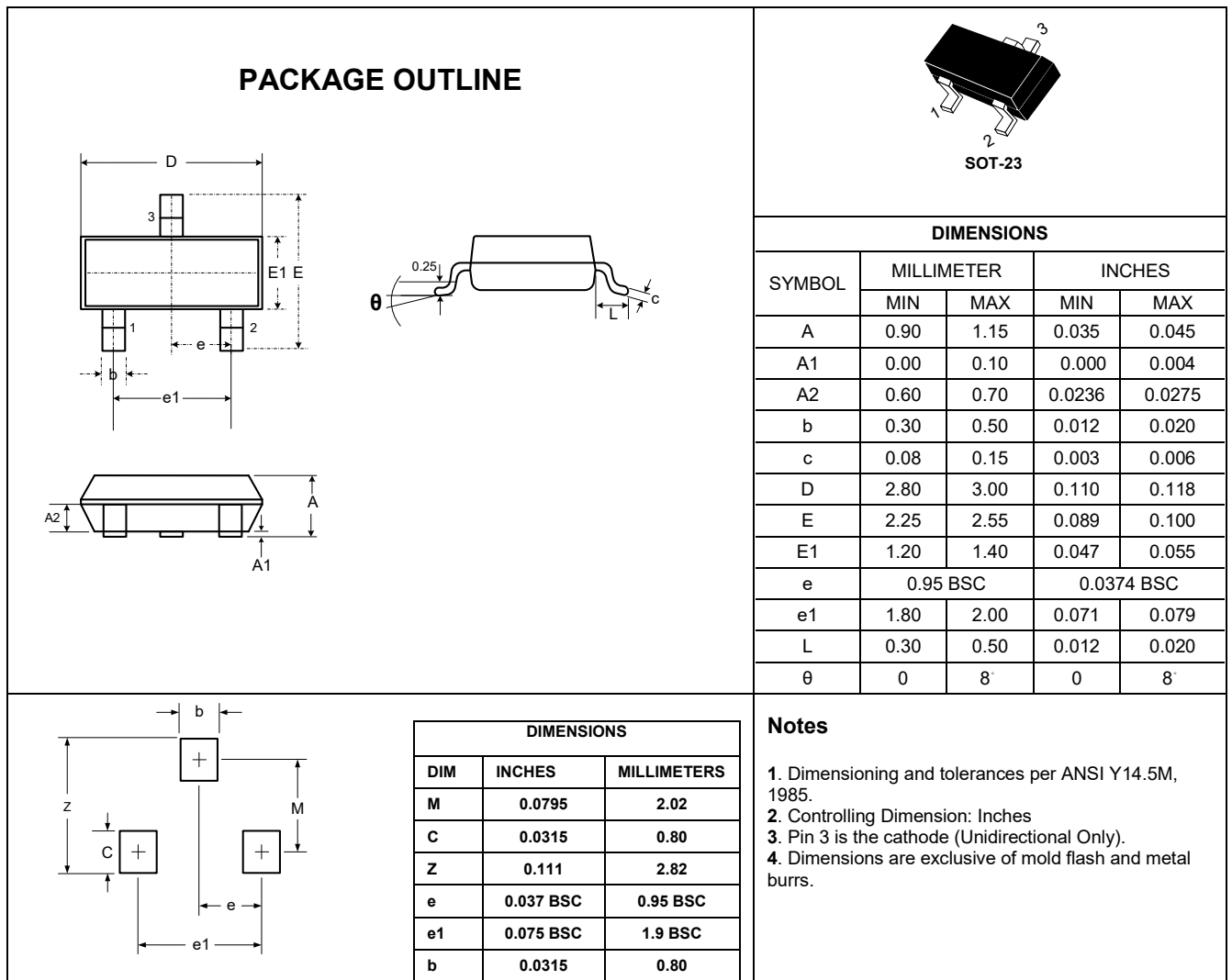
Electrical Characteristics

Part Number	Reverse Stand off Voltage V_{RWM} (Volts)	Minimum Breakdown Voltage $V_{BR@1mA}$ (Volts)	Maximum Peak Pulse Current I_{PP} (Amps)	Maximum Clamping Voltage $V_C @ I_{PP}$ (Volts)	Maximum Reverse Leakage $I_R @ V_{RWM}$ (μA)	Typical Capacitance DC=0V $C_J @ 1 MHz$ (pF)	Maximum Capacitance DC=0V $C_J @ 1 MHz$ (pF)	Marking Code
DW03M2T-S	3.3	4.0	25	14	1	200	240	3M2
DW03M2T-B-S	3.3	4.0	20	15	1	100	120	3B2
DW05M2T-S	5	6.0	18	16.7	1	150	180	5M2
DW05M2T-B-S	5	6.0	18	16.7	1	75	90	5B2
DW12M2T-S	12	13.3	12	25	1	50	60	AM2
DW12M2T-B-S	12	13.3	12	25	1	30	36	AB2
DW15M2T-S	15	16.7	10	35	1	45	55	BM2
DW15M2T-B-S	15	16.7	10	35	1	25	30	BB2
DW24M2T-S	24	26.7	5	55	1	30	36	CM2
DW24M2T-B-S	24	26.7	6	40	1	15	18	CB2
DW36M2T-S	36	40	4	75	1	26	30	DM2
DW36M2T-B-S	36	40	6	85	1	15	18	DB2

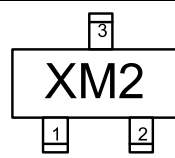
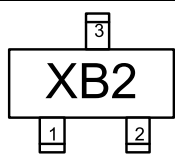
Typical Characteristics



Outline Drawing – SOT-23



Marking Codes

Part Number	DWxxM2T-S	DWxxM2T-B-S
Marking Code		

Package Information

Qty: 3k/Reel